

EVACLITE

Dynamic & Adaptive, Emergency
Exit Signage

“Only 38% of people notice
standard static escape route
signs and use them to find their
way out.”



Product Data Sheet BARCELONA

Mar 2026



Passive



Dynamic



Adaptive

1.0 OVERVIEW

Barcelona

Barcelona is a surface mounted, maintained, dynamic exit sign. It has conventional functionality plus the added safety, security and control performance of the integral, EvacLite ADS Adaptive/Dynamic LED 3PA Legend technology.

It is fully compliant and compatible with any fire panel. It connects via the fire loop and via a suitable input/output device or relay and two wires which connect to the unit via volt free contacts.

The sign's behaviour in an emergency is defined by the fire strategy and dictated by cause-and-effect programming of the panel.

It is ideal for solid wall installation due to its back box design and can be quickly installed and connected via suitable screws and fittings.

It is available with self-test and DALI and in white as standard. Other, special finishes may be available upon request.



Dynamics

In an emergency, most people fail to see conventional, static emergency exit signage. Stress grows, decision-making slows and risk increases. Furthermore, even if the signs are seen, and followed, they cannot adapt to the surroundings and could direct you towards an unsafe exit route.

EvacLite has developed a multi-award winning, proven, and patented solution – dynamic and adaptive emergency exit signage.

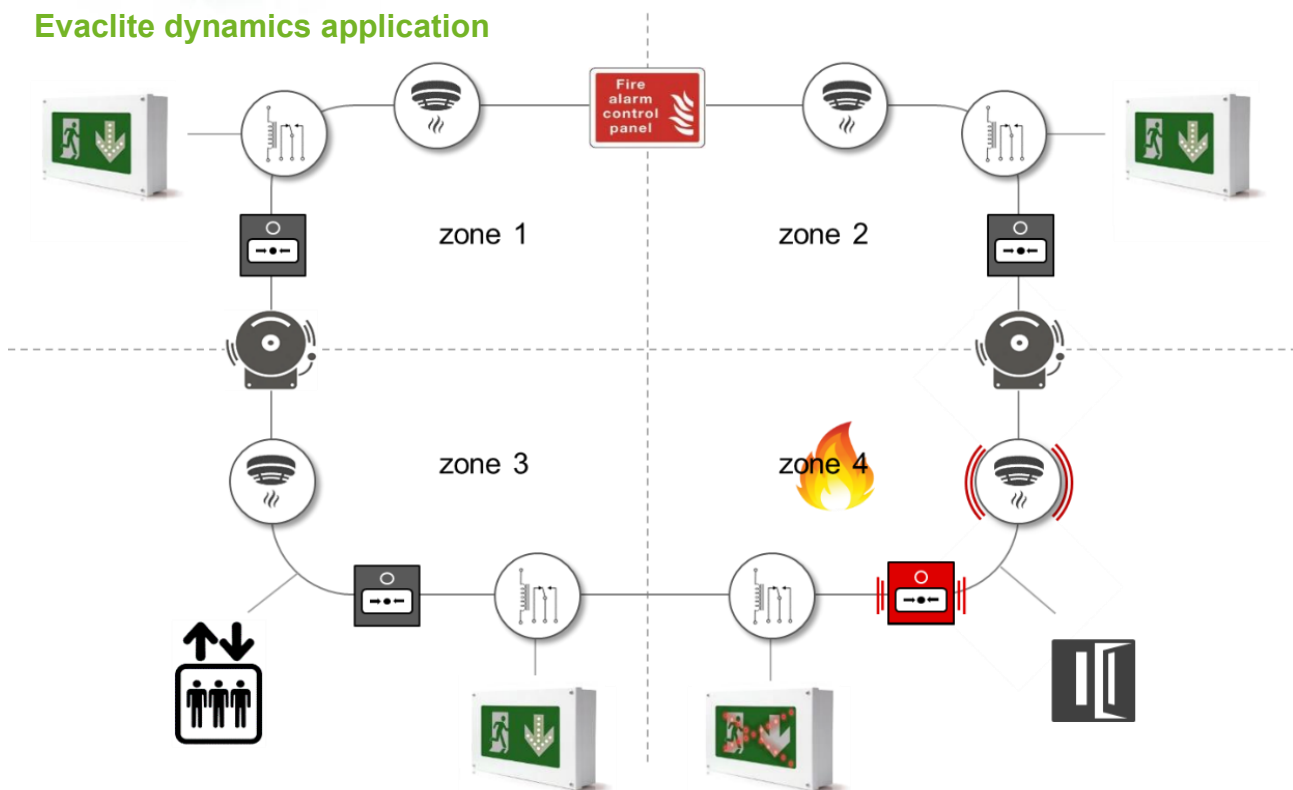
Our leading technology helps keep people safe because it:

- Is twice as easy to see and understand
- Halves decision-making time
- Reduces congestions by over one third
- Helps clear a space by over 20% more quickly

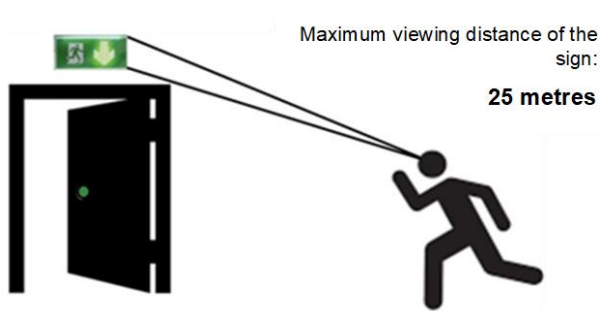
Ensuring that everyone leaves calmly and safely, via their nearest, safest exit every time.



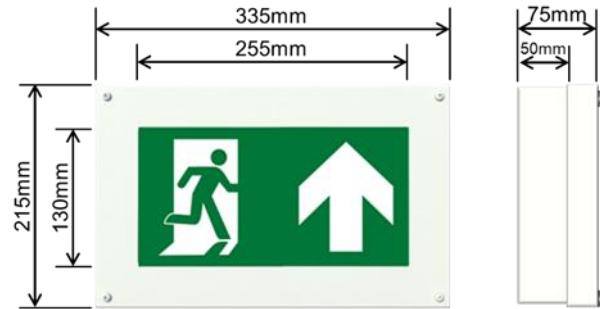
EvacLite dynamics application



Viewing distance



Dimensions



Features

- Fully dynamic, maintained and fully addressable, emergency exit sign with three states: passive, green arrow and red cross.
- Single-sided only.
- Self-test and/or DALI as standard.
- 2-channel, volt free connectivity.
- Self-contained with 4-cell, 6.4V (total), 2200mAh, LiFeO4 battery pack for 3-hour operation.
- LED life circa 36k hours
- Suitable for solid surface installation (walls and ceilings) and internal or external use (IP65).

Construction & function

- Body (back box & fascia) – Zintec steel, powder coated RAL9010 (white - 25% gloss).
- Trim – Zintec steel.
- Body & blade LEDs – 6500K (excepting green & red).
- Legend panel – Cast acrylic with pre-applied legend & in-built dynamic arrays.
- Weight – 4.89kg (packaged).
- Maintained State: 6W (min) led strip.
- Dynamic State: 13.5W (max) led strip + dynamic arrays.
- 230-240VAC, 50/60Hz.

Options

- Non-maintained.
- Central battery version.
- Alternative mains voltages.
- Special finishes upon request, (for quantity).

Compliance

- Designed to comply with BS5266-1 and conforms to EN60598.2.22 WITH IEC 60598-1 2014, ISO 3864-1, ISO 3864-4. Uniformity of illumination, legend and appearance meets EN1838 and 'Running man' infographic fully compliant with ISO7010.

2.0 TECHNICAL

DALI

The ELP LM350 DALI Driver, PSU and LiFePO4 fitted, can be connected to DALI or function in a stand-alone, self-test mode.

The control gear is designed for ease of installation offering compact dimensions and push wire terminal. It incorporates an LED driver module/charger and a high temperature Lithium-Ion battery pack. Should power fail, the control gear can operate the sign at full output, for a duration of 3-hours.

Self-test

When not connected to DALI, the signage will operate in self-test mode in which case, the function and duration tests will take place at randomized times.

Sign status is shown via the bi-colour LED on the sign's fascia plate (see Instructions).

If required, testing can be programmed to occur at a designated time by turning the unswitched supply off and on 3 times in 10 seconds at the required time.

Installation

Barcelona may be fitted to solid walls. (See Product Instructions.)

The unit is retained into the wall by four screw fittings and the facing panel is secured to the front of the body by 4x M4 fixing screws into blind holes (supplied).

Operation – normal state

White light is on.

In this situation, the signage looks like any other, maintained, ISO7010 compliant, emergency exit signage.

LEDs operate from the normal, switchable mains supply. An additional unswitched mains supply charges the battery pack as required.

The charge indicator LED on the fascia indicates the unit's status.

Fire alarm connectivity

2x volt-free, normally open relay contacts provided suitable for 2-channel operation. 2-channels are necessary to enable all behavioural combinations (red/green, green/green etc). (See Wiring Diagram.)

Compatible with XP95 systems and other addressable panels with appropriate I/O relays.

Operation – emergency state

The sign's behaviour is dictated by the fire panel and in accordance with the building's fire strategy. Typically, when the alarm sounds, green arrows are triggered on all signs to expedite evacuation.

Should an area or route become compromised, then signage in that area, and only in that area, may be programmed to turn red to direct occupants away from danger and to their nearest, safest exit.

If a red cross is activated, a sign showing a green arrow must be visible.

Control gear

Section	Subject	Plastic housed LM module
Environmental	Protection against electric shock	Class III Secondary outputs SELV equivalent
	Ingress protection	IP20
	Module rated operating ambient temperature	-20 to 50°C
	Battery rated operating ambient temperature	0 - 50°C
	Maximum case temperature	60°C
Mains operation	Rated voltage supply	220/240 VAC
	Mains frequency	50/60 Hz
	Mains supply current: LM80LID LM240LID LM350LID LM500LID LM700LID	<20mA <22mA <24mA <28mA <40mA
	Mains supply power LM80LID LM240LID LM350LID LM500LID LM700LID	2.3W 2.9W 3.6W 4.7W 6.3W
	Power factor	>0.6
	Module output current - tolerance 10% LM80LID operating up to 4 x LED at 80mA LM240LID operating 2 x LED at 240mA LM350LID operating 1 x LED at 350mA LM500LID operating 1 x LED at 500mA LM700LID operating 1 x LED at 700mA	80mA 240mA 350mA 500mA 700mA
	Indicator LED	Two wire bi-color red/green

Emergency operation	Emergency duration	3 hours
	Battery chemistry type	Lithium Iron Phosphate
	Number and type of cells LM80LID LM240LID LM350LID LM500LID LM700LID	2 x 1.5Ah 18650 LiFePO ₄ cells 2 x 1.5Ah 18650 LiFePO ₄ cells 2 x 2.2Ah 18650 LiFePO ₄ cells 2 x 1.5Ah 18650 LiFePO ₄ cells 2 x 2.2Ah 26650 LiFePO ₄ cells
	Battery recharge period	<24 hours
	Battery charging - voltage dependent, constant current 1.5Ah 18650 LiFePO ₄ cells 2.2Ah 26650 LiFePO ₄ cells	0 - 110mA 0 - 110mA
	Battery discharge rate (at nominal voltage) 1.5Ah 18650 LiFePO ₄ cells 2.2Ah 26650 LiFePO ₄ cells	375mA 750mA
	Module output current LM80LID operating up to 4 x LED at 80mA LM240LID operating 1 x LED at 240mA LM350LID operating 1 x LED at 350mA LM500LID operating 1 x LED at 500mA LM700LID operating 1 x LED at 700mA	80mA up to 10.8V 240mA up to 6.5V 350mA up to 6.4V 500mA up to 3.5V 700mA up to 3.5V
	Mechanical	Outside dimensions Fixing centres L178mm x W30mm x H21mm 174mm
	Electrical connections	Push wire terminals
Standards compliance	EN61347-1, EN61347-2-7, EN61347-2-13 & EN62384	Yes
	EN60598-2-22 (clauses 22.6.7, 22.6.9, 22.6.10, 22.6.11, 22.6.12, 22.6.13, 22.17, 22.18)	Yes
	EN62034, EN62386-101, EN62386-102, EN62386-202	Yes
	EN55015, EN61547	Yes

3.0 ORDERING INFORMATION - Barcelona

Description	Part No	Front	Reverse	Description	Part No	Front	Reverse
Single-sided, arrow up	BAR/ADS/S/25/AU-W_DALI			Single-sided, arrow left	BAR/ADS/S/25/AL-W_DALI		
Single-sided, arrow down	BAR/ADS/S/25/AD-W_DALI			Single-sided, arrow right	BAR/ADS/S/25/AR-W_DALI		

- Above part numbers cover both self-test and DALI.
- All visible metalwork of units, once installed, is finished in white as standard.

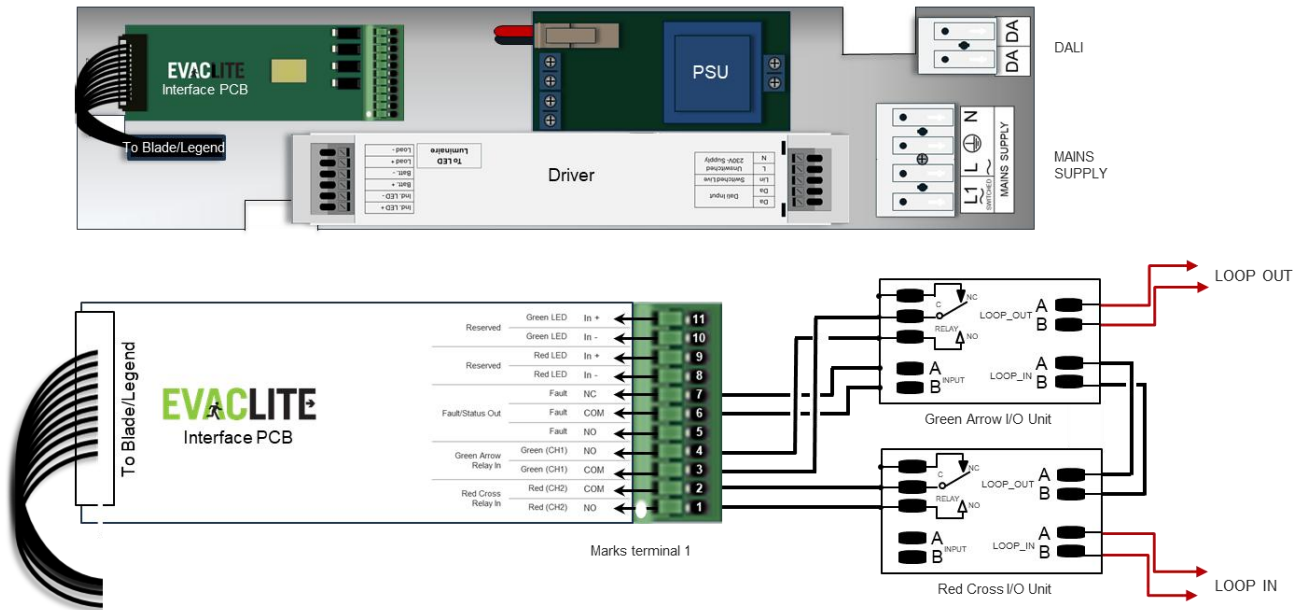
Address

- Evaclite Ltd
Thorncroft Manor
Thorncroft Drive
Leatherhead
Surrey
KT22 8JB
[Google maps](#)

Contact & links

- 01633 404999
- info@evaclite.com
- <https://evaclite.com/>
- [Products](#)
- [Technical information](#)

4.0 WIRING DIAGRAM



Glossary	
NC	Normally Closed
COM	Common
NO	Normally Open

	Healthy condition	Fault condition
7	Normally Closed	Normally Open
6	Common	Common
5	Normally Open	Normally Closed

Evaclite Ltd reserves the right to change any specification, function or appearance without notice