

# EVACLITE

Dynamic & Adaptive, Emergency Exit Signage

“Only 38% of people notice standard static escape route signs and use them to find their way out.”



## Product Data Sheet MONACO

Mar 2026



Passive



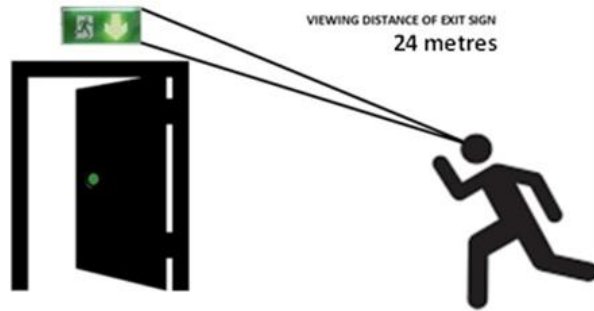
Dynamic



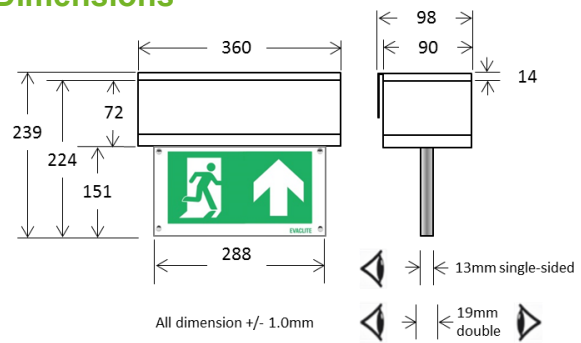
Adaptive



## Viewing distance



## Dimensions



## Features

- Fully dynamic, maintained and fully addressable, emergency exit sign with three states: passive, green arrow and red cross.
- Self-test and/or DALI as standard.
- 2-channel, volt free connectivity.
- Self-contained with 4-cell, 6.4V (total), 2200mAh, LiFeO4 battery pack for 3-hour operation.
- LED life circa 36k hours
- Suitable for solid surface installation (walls and ceilings) and internal use (IP20).

## Construction & function

- Body (back box & fascia) – Zintec steel, powder coated RAL9010 (white - 25% gloss).
- Trim – Zintec steel.
- Body & blade LEDs – 6500K (excepting green & red).
- Legend panel – Cast acrylic with pre-applied legend & in-built dynamic arrays.
- Weight – 3.78kg (packaged).
- Maintained State: 6W (min) led strip.
- Dynamic State: 13.5W (max) led strip + dynamic arrays.
- 230-240VAC, 50/60Hz.

## Options

- Single and double-sided configurations.
- Non-maintained.
- Central battery version.
- Alternative mains voltages.
- Passive (non-dynamic) equivalent.
- Special finishes upon request, (for quantity).

## Compliance

- Designed to comply with BS5266-1 and conforms to EN60598.2.22 WITH IEC 60598-1 2014, ISO 3864-1, ISO 3864-4. Uniformity of illumination, legend and appearance meets EN1838 and 'Running man' infographic fully compliant with ISO7010.

## 2.0 TECHNICAL

### DALI

The ELP LM350 DALI Driver, PSU and LiFePO4 fitted, can be connected to DALI or function in a stand-alone, self-test mode.

The control gear is designed for ease of installation offering compact dimensions and push wire terminal. It incorporates an LED driver module/charger and a high temperature Lithium Ion battery pack. Should power fail, the control gear can operate the sign at full output, for a duration of 3-hours.

### Self-test

When not connected to DALI, the signage will operate in self-test mode in which case, the function and duration tests will take place at randomized times.

Sign status is shown via the bi-colour LED on the sign's fascia plate (see Instructions).

If required, testing can be programmed to occur at a designated time by turning the unswitched supply off and on 3 times in 10 seconds at the required time.

## Installation

Monaco may be fitted to solid walls or ceilings and comes supplied with a wall mounting bracket that is removed to enable ceiling mounting. (See Product Instructions.)

The unit is retained into ceiling by two screw fittings and the fascia trim panel, is secured to the body by 2x M4 fixing screws (supplied).

## Operation – normal state

White light is on.

In this situation, the signage looks like any other, maintained, ISO7010 compliant, emergency exit signage.

LEDs operate from the normal, switchable mains supply. An additional unswitched mains supply charges the battery pack as required.

The charge indicator LED on the fascia indicates the unit's status.

## Fire alarm connectivity

2x volt-free, normally open relay contacts provided suitable for 2-channel operation. 2-channels are necessary to enable all behavioural combinations (red/green, green/green etc). (See Wiring Diagram.)

Compatible with XP95 systems and other addressable panels with appropriate I/O relays.

## Operation – emergency state

The sign's behaviour is dictated by the fire panel and in accordance with the building's fire strategy. Typically, when the alarm sounds, green arrows are triggered on all signs to expedite evacuation.

Should an area or route become compromised, then signage in that area, and only in that area, may be programmed to turn red to direct occupants away from danger and to their nearest, safest exit.

If a red cross is activated, a sign showing a green arrow must be visible.

## Control gear

Section	Subject	Plastic housed LM module
Environmental	Protection against electric shock	Class III Secondary outputs SELV equivalent
	Ingress protection	IP20
	Module rated operating ambient temperature	-20 to 50°C
	Battery rated operating ambient temperature	0 - 50°C
	Maximum case temperature	60°C
Mains operation	Rated voltage supply	220/240 VAC
	Mains frequency	50/60 Hz
	Mains supply current: LM350LID	<24mA
	Mains supply power LM350LID	3.6W
	Power factor	>0.6
	Module output current - tolerance 10% LM350LID operating 1 x LED at 350mA	350mA
	Indicator LED	Two wire bi-colour red/green
Emergency operation	Emergency duration	3 hours
	Battery chemistry type	Lithium Iron Phosphate
	Number and type of cells LM350LID	2 x 2.2Ah 18650 LiFePO <sub>4</sub> cells
	Battery recharge period	<24 hours
	Battery charging - voltage dependent, constant current 2.2Ah 26650 LiFePO <sub>4</sub> cells	0 - 110mA
	Battery discharge rate (at nominal voltage) 2.2Ah 26650 LiFePO <sub>4</sub> cells	750mA
	Module output current LM350LID operating 1 x LED at 350mA	up to 6.5V 350mA up to 6.4V
Mechanical	Outside dimensions Fixing centres	L178mm x W30mm x H21mm 174mm
	Electrical connections	Push wire terminals
Standards compliance	EN61347-1, EN61347-2-7, EN61347-2-13 & EN62384	Yes
	EN60598-2-22 (clauses 22.6.7, 22.6.9, 22.6.10, 22.6.11, 22.6.12, 22.6.13, 22.17, 22.18)	Yes
	EN62034, EN62386-101, EN62386-102, EN62386-202	Yes
	EN55015, EN61547	Yes

### 3.0 ORDERING INFORMATION - Monaco

Description	Part No	Front	Reverse	Description	Part No	Front	Reverse
Single-sided, arrow up	MON/ADS/S/24/AU-W_DALI			Double-sided, arrow up	MON/ADS/D/24/AU-W_DALI		
Single-sided, arrow down	MON/ADS/S/24/AD-W_DALI			Double-sided, arrow down	MON/ADS/D/24/AD-W_DALI		
Single-sided, arrow left	MON/ADS/S/24/AL-W_DALI			Double-sided, arrow left/right	MON/ADS/D/24/ALR-W_DALI		
Single-sided, arrow right	MON/ADS/S/24/AR-W_DALI						

- Above part numbers cover both self-test and DALI.
- All visible metalwork of units, once installed, is finished in white as standard.
- Alternative double-sided, adaptive configurations (eg double-sided, arrow down, red) are available to special order.

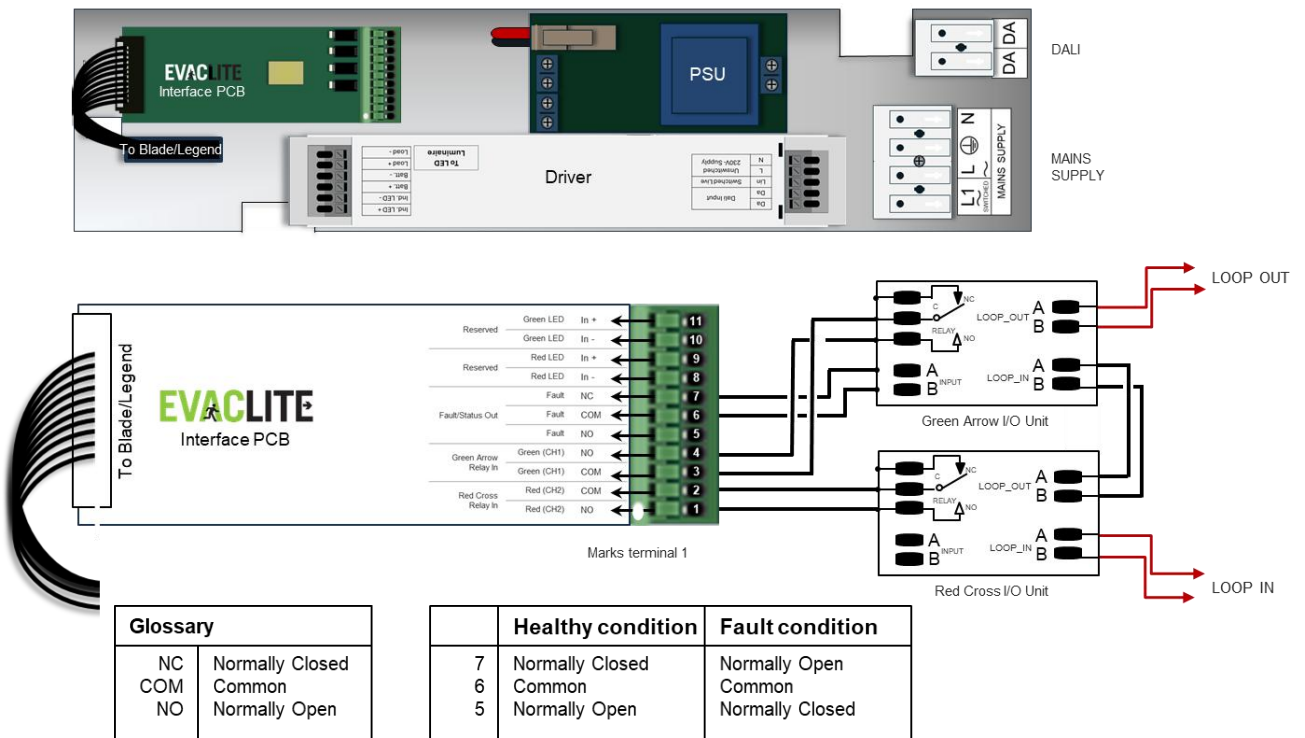
#### Address

- Evaclite Ltd  
Thorncroft Manor  
Thorncroft Drive  
Leatherhead  
Surrey  
KT22 8JB  
[Google maps](#)

#### Contact & links

- 01633 404999
- [info@evaclite.com](mailto:info@evaclite.com)
- <https://evaclite.com/>
- [Products](#)
- [Technical information](#)

### 4.0 WIRING DIAGRAM



Evaclite Ltd reserves the right to change any specification, function or appearance without notice