

Product Instructions **BARCELONA**

Apr 2026

Luminaire Classification:
X1G180

Suitable for:
BAR/ADS/24_DALI/Self-Test Models

MAINTAINED OPERATION

Both Mains Supplies Healthy

LED Lamp(s) operate from the normal mains supply that can be switched and an additional unswitched mains supply charges the battery pack (charge indicator LED lights to indicate the battery pack is charging).

Unswitched or both Mains Supply Failures (or optional push to test switch operated)

LED Lamp(s) comes on in emergency and the charge Indicator LED goes out.

NON-MAINTAINED OPERATION

Unswitched Supply Healthy

LED Lamp(s) not illuminated (charge indicator LED lights to indicate the battery pack is charging).

Unswitched Supply Failed (or push to test switch operated)

LED Lamp(s) operate in emergency and the charge indicator LED goes out.

RECOMMENDED ROUTINE TEST PROCEDURE

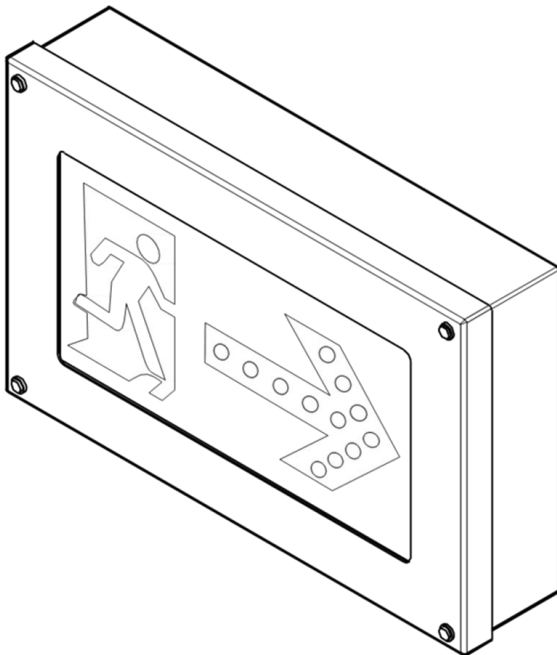
The following test routine from EN50172 is designed to ensure continued protection of your premises and occupants. Because of the possibility of a failure of the normal lighting supply occurring shortly after a period of testing, all tests should (wherever possible), be undertaken at a time of least risk and during daylight hours.

Normal mains supplies should be present before starting these tests and any LED lamps that are showing signs of ageing should be replaced prior to continuing with the test.

To test for correct emergency operation, fail the unswitched mains supply, where a switched supply is present this should also be isolated. The LED lamp should then be illuminated from the Emergency Control Unit.

Restoring the unswitched supply will restore the luminaire to its previous operational state.

If either test indicates a fault condition, follow the fault finding guide instructions on this sheet.



Technical support

ONCE A DAY

Visually inspect the charge indicator LED is illuminated. Check from DALI bus that the product is operating normally

ONCE A MONTH

Each unit will perform its own self-test each month. Self-test operation and test failures will be shown on the indicator LED. Test failures will be shown in the product's status indicators on the DALI bus – see FIG.G.

YEARLY

Each unit will perform its own self-test each year. The product will run the emergency light for its rated duration. Self-test operation and test failures will be shown on the indicator LED. Test failures will be shown in product's status indicators from the DALI bus.

Note:

The product has a self-commissioning mode. This charges the battery, performs a full duration test and then re-charges the battery.

BATTERY REPLACEMENT

If the luminaire fails to meet the rated duration then the battery should be replaced with the correct type indicated on the product label.

LIGHT SOURCE REPLACEMENT

The light source of this luminaire is not replaceable; when the light source reaches its end of life the whole luminaire shall be replaced.

SAFETY

The luminaire must be installed by a qualified person in accordance with the current nationally recognised Building and Wiring Regulations.

Disconnect the mains supplies before removing the diffuser or panels prior to carrying out any maintenance or replacements of LED lamp(s).

SAFETY (contd.)

This product must not be modified in any way and must be installed in accordance with these instructions.

Suitable for use in ambient temperatures over the range 5°C to 25°C.

The luminaire should not be covered with any heat insulating material and the airflow around it should not be restricted. Note any minimum distances to adjacent surfaces.

Where a luminaire is designed for recess mounting it should not be covered with any insulating material and the airflow around it should not be restricted. This will be indicated by the symbol. Note any minimum distances to adjacent surfaces.

FIG.G

Module Mode	Indicator LED	Status	Emergency Lamp
Mains operation mode Standby mode	Permanent green	Normal	Off
Function test in progress	Fast flashing green	Normal	On
Duration test in progress	Slow flashing green	Normal	On
Commissioning in progress	Slow flashing green	Normal	Off except during testing
Identification mode	Slow flashing alternating green/red	Normal	Off
Prolong mode	Off	Normal	On
Rest mode	Slow flashing double Pulse green 	Normal	Off
Inhibit mode	Green slow flashing double pulse off 	Normal	Off
Emergency operation mode	Off	Normal	On
Lamp fault	Permanent red	Fault	Off
Battery / Test failure	Slow flashing red	Fault	Off
Battery charging failure	Fast flashing red	Fault	Off
Loss of mains and battery supply	Off	Fault	Off

INSTALLATION

The wall mounted LED Exit signs are for interior or exterior use.

Fitting should be made by a competent person and in accordance to local electrical installation regulations.

1. Turn off power to work area.
2. Use the back box to mark holes to be drilled in the wall Fig a. Drill holes and insert raw plugs if necessary, then screw the back box to the wall. Between each screw head and the back box there should be a rubber washer. Please use appropriate screws and raw plugs for your surface (Fig. b).

3. Cut or punch out a 20mm \varnothing marked hole on the side of the back box that you wish to bring cables in through. Install a suitable IP65 rated grommet into this hole for the cables to come through (Fig. c).

4. Bring the supply cables through the IP65 rated grommet in the side of the back box. Unscrew the gear tray and insert the supply cables through a protective gland in the gear tray and connect as shown (Fig. d).

5. Bring in the control cables through a separate IP65 rated grommet in the side of the back box. Fig e Insert the control cables through a protective gland in the gear tray connect to the interface board in the configuration recommended by your alarm system (Fig. e).

6. Screw in gear tray such that the components face into the base, using 4 screws provided (Fig. f).

7. Plug the blade cable into the socket on the underside of the gear tray (Fig. g).

8. Connect the earth cable to the back box and the lid (Fig. h).

9. Secure the Lid to the back box using the screws and washers provided. Check that nothing breaks the gasket seal between the back box and the lid. A rubber washer must be fitted between the screw head and the lid to ensure the IP65 rating (Fig. i).

10. Turn on power to work area.

WARNING: Failure to comply with these installation instructions may result in irreparable damage to the emergency control unit or luminaire.

Warning: Do not Insulation Test the lighting system with the emergency control units installed.

FIG.A

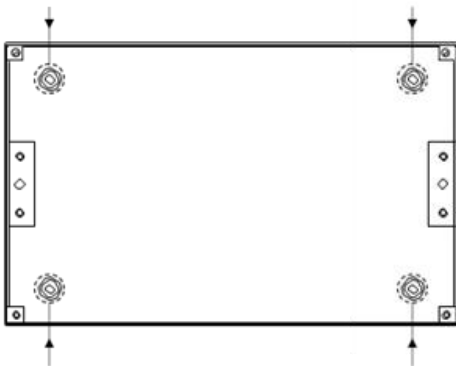


FIG.B

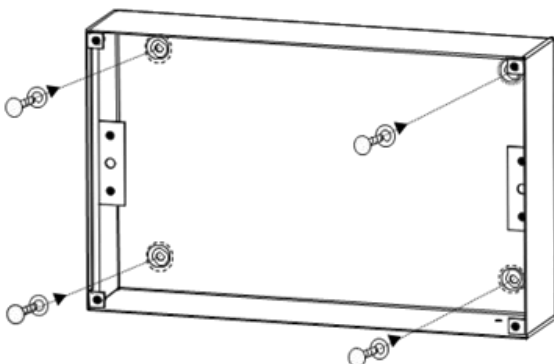


FIG.C

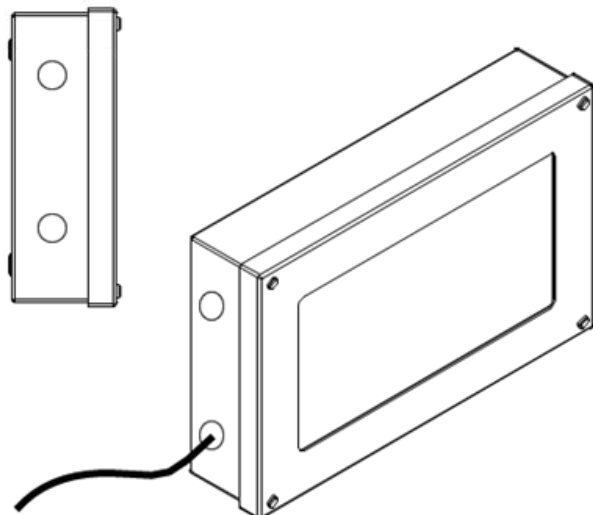


FIG.D

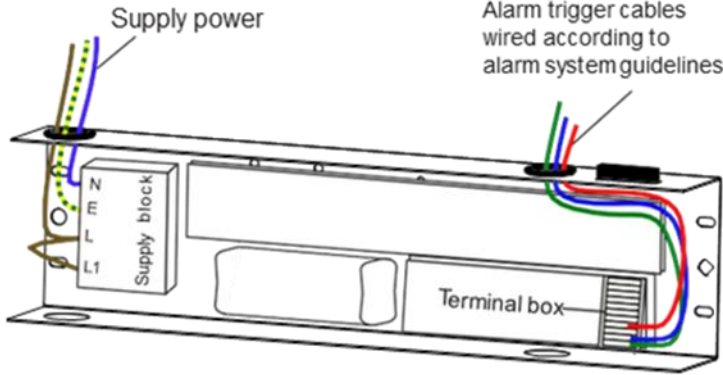


FIG.E

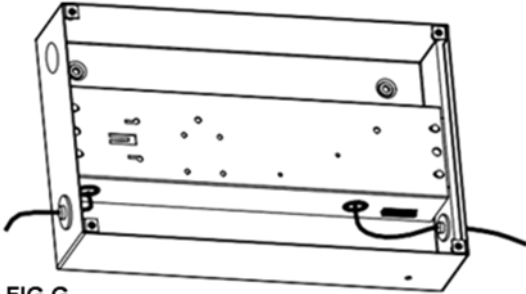


FIG.F

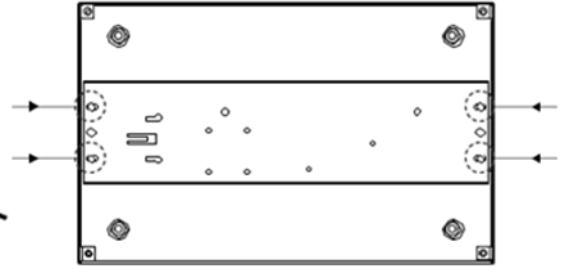


FIG.G

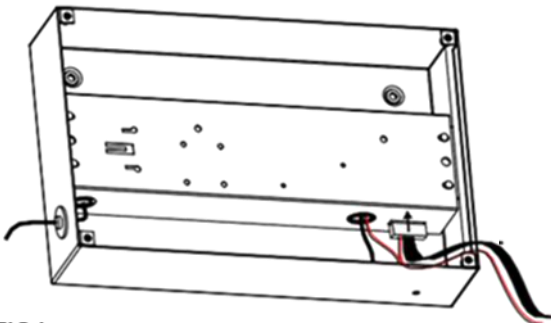


FIG.H

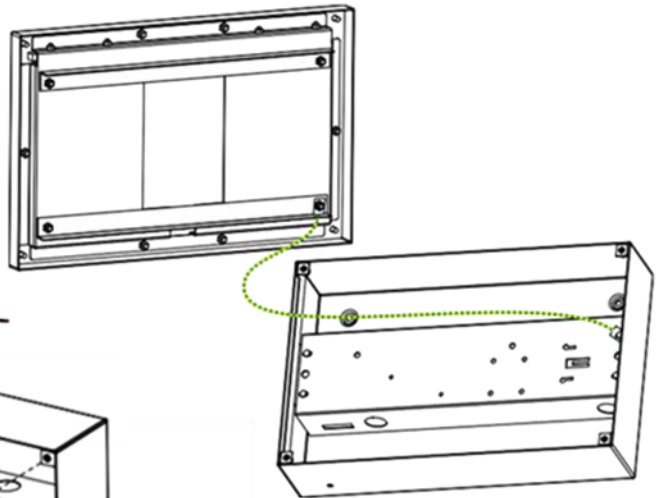
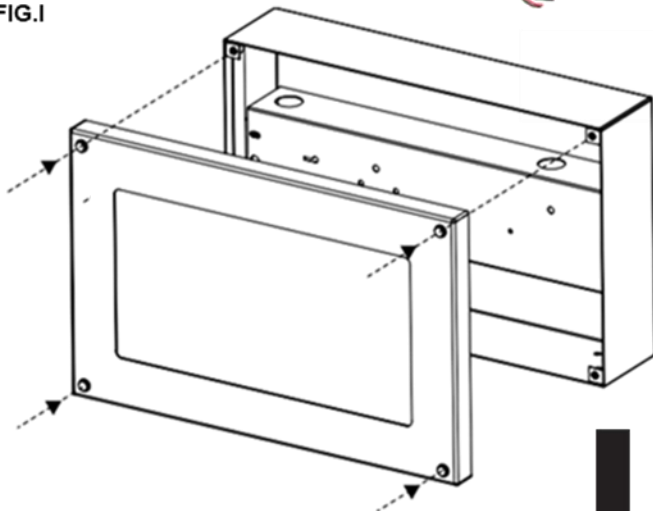


FIG.I



CONFIGURING DYNAMIC SIGNAGE

Please refer to the integration instructions of your emergency regulation system. The dynamic circuit is arranged as shown:

BLACK MOLEX CONNECTOR
BATTERY/POWER
X3

GREEN MOLEX CONNECTOR

(Reserved) voltage input arrow +
(Reserved) voltage input arrow -
(Reserved) voltage input cross +
(Reserved) voltage input cross -
Fault output NC
Fault output COM
Fault output NO
Arrow input No
Arrow input COM
Cross input COM
Cross input NO

FAULTFINDING

1. CHARGE INDICATOR LED NOT ILLUMINATED

a) Check the battery is connected to the emergency control unit.

b) AC unswitched supply interrupted – restore supply.

c) Battery fault causing charge circuit to shut down (self-resetting) – replace the battery and check for correct ambient temperature.

d) Emergency control unit fault – contact your supplier.

2. UNIT NOT MEETING REQUIRED EMERGENCY DURATION PERIOD

a) Unit operating outside temperature limits – check ambient temperature.

b) Unit may need cycle discharge – recharge for 24 hours then re-test. If the duration has improved repeat the procedure until full duration is achieved or the battery pack needs replacing – contact your supplier.

3. NO LIGHT OUTPUT AT ALL

a) Check the charge LED is lit when the AC unswitched mains supply is on.

b) Check the LED lamp and ensure it is correctly connected to the control gear.

c) Check all wiring and connections.

d) Check the battery pack on load (discharge condition) using a voltmeter. The nominal battery voltage is shown on the battery label.

4. SELF-TEST FUNCTIONALITY

a) See Figure G for full, self-test status and diagnostics.

5. TECHNICAL INFORMATION

a) For further technical information and DALI function, use QR code on left or contact your supplier.



Technical support

EMERGENCY LED LUMINAIRE INSTRUCTIONS

GENERAL INSTRUCTIONS

Follow these instructions carefully to ensure safe and reliable operation and retain this leaflet for future reference. Luminaires with an IP rating of IP54 or above are suitable for exterior use. For the purpose of EN 60598.2.22:1999, this fitting is classified as being 'without rest mode'.

Where the symbol ****E appears on the product label indicates no serviceable parts. The light source contained in this luminaire shall only be replaced by the manufacturer or his service agent or a similar qualified person.

Where the symbol ****F or DALI appears on the product label then this indicates that the product contains an automatic self-test function

Please see 'DALI Technical Instructions' document for more detailed DALI operational detail.

Please contact the supplier if this luminaire is to be installed where the operating temperature range exceeds 5°C to 25°C, or when the relative humidity normally exceeds 50% and in environments with unusually high contamination or corrosive elements or gasses.

This luminaire incorporates a LiFePO4 Battery pack. They should be disconnected whenever the mains is interrupted for a period of longer than 7 days.

For all product specifications or further assistance on installation of this product contact the Technical Department or use QR code.

www.evaclite.co.uk
+44 (0)1633 404 999

Throughout this leaflet the following wiring colour coding is used:

(L) Brown or Red
Permanent/Unswitched supply

(L1) Brown or Red
Switched supply

(N) Blue or Black
Neutral

Green and Yellow
Earth

(DA) Black DALI
Bus connections



DISPOSAL

The disposal of large quantities of electrical equipment (EEE) is subject to European, National and Local Authority regulations (WEEE).

Products displaying the 'wheelie bin' symbol indicate the product should not be disposed of in the normal waste stream.



TEST RECORD

Luminaire Type/Ref: _____

Date of Installation: _____

Location: _____

MONTH	TEST	1ST YEAR		2ND YEAR		3RD YEAR		4TH YEAR		5TH YEAR	
		SIG	DATE	SIG	DATE	SIG	DATE	SIG	DATE	SIG	DATE
1	FUNCTIONAL										
2	FUNCTIONAL										
3	FUNCTIONAL										
4	FUNCTIONAL										
5	FUNCTIONAL										
6	FUNCTIONAL										
7	FUNCTIONAL										
8	FUNCTIONAL										
9	FUNCTIONAL										
10	FUNCTIONAL										
11	FUNCTIONAL										
12	DURATION	FULL		FULL		FULL		FULL		FULL	