

Technical support

Product Instructions
ATHENA

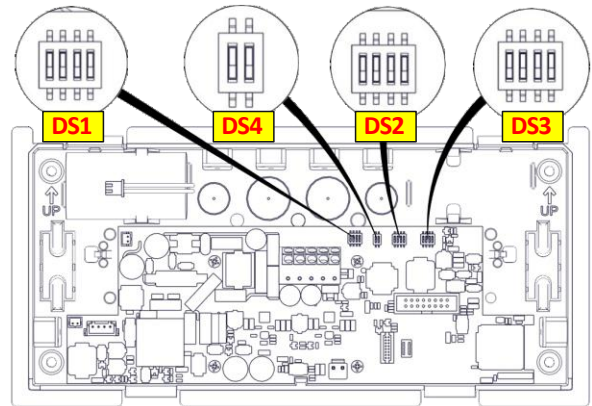
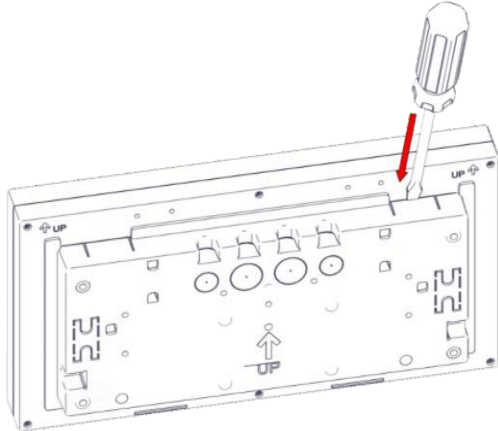
May 2026

Luminaire Classification:
X1AFG60

Suitable for:
ATH/DN1001/S/_ Models

INSTALLATION

1. Place a flat-bladed screwdriver into both notches to disassemble the screen from its base.



DS1, DS2 & DS4 FUNCTIONS (SCREEN ADJUSTMENTS)

The user has the ability to change the screen icons by adjusting the switches located at positions **DS1**, **DS2**, and **DS4**.

DS1

Adjustment of the icons during the normal operation of the luminaire. The user can select one of 16 different icons by using the switches of DS1. For the switch settings, please refer to the additional leaflet included in the packaging.

DS4

Adjustment of the icon mode (Static/Moving). The user can set the icon mode by using the switches of DS4. When the switch is in the OFF position, the icons are static, while when the switch is in the ON position, the icons are moving. Switch 1 is used for the normal operation of the luminaire while switch 2 is used for the alarm operation of the luminaire.

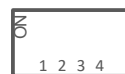
DS2

Adjustment of the icons during the alarm operation of the luminaire. The user can select one of 16 different icons by using the switches of DS2. For more information regarding the alarm function, please refer to the CONNECTIONS section. The switch settings are the same as those of DS1.

DS3 FUNCTIONS



Maintained
Operation
(default position)

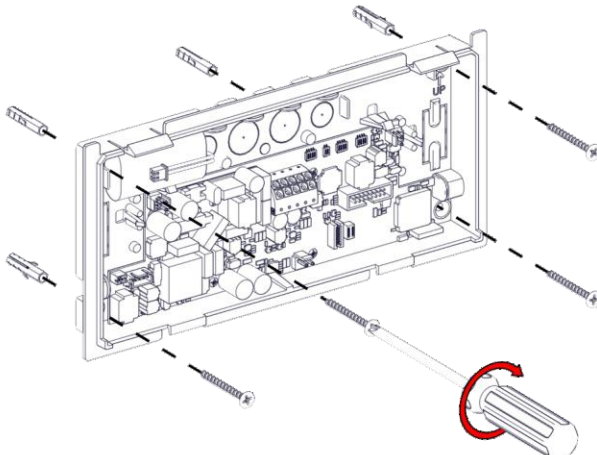


Non-Maintained
Operation

The control of maintained or non maintained operation of the luminaire is achieved through Switch 4 of **DS4**.

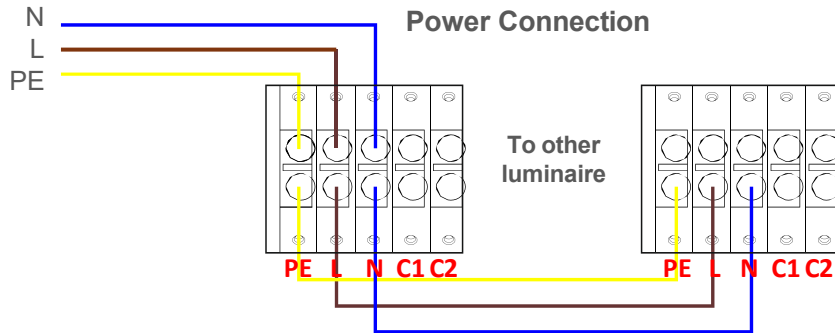
ATTENTION! The selection must be done while the luminaire is disconnected from AC and battery supplies.

2. Mount the luminaire's base to the wall with the including mounting accessories.



CONNECTIONS

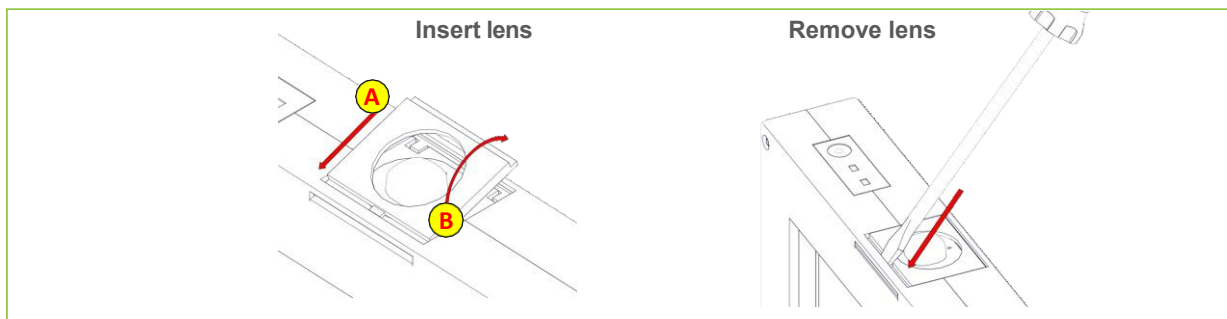
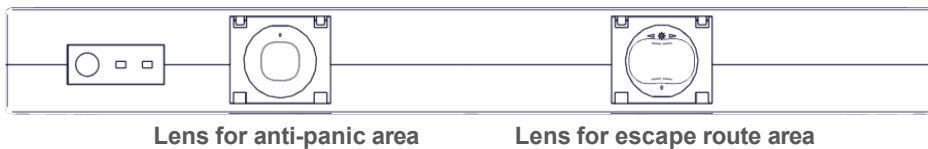
3. Pass the round cable through the pre-open holes. Connect the mains cable to the respective terminal block: L for live wire, N for neutral and PE for the ground wire. Power supply cables cross section should be 0.8 – 2.5 mm².



The luminaire has the capability to connect to any control panel that can send an alarm signal. Once the alarm is activated by the panel, the luminaire's icons change according to the user's selection from DS2. For this function to work, it is necessary to connect the terminal block of the panel to the terminal block of the luminaire at the C1 and C2 poles.

4. On the bottom side of the panel, there are two power LEDs, which are used to install the lens for the anti-panic or escape route area. Insert the desired lens, then place the protective cover.

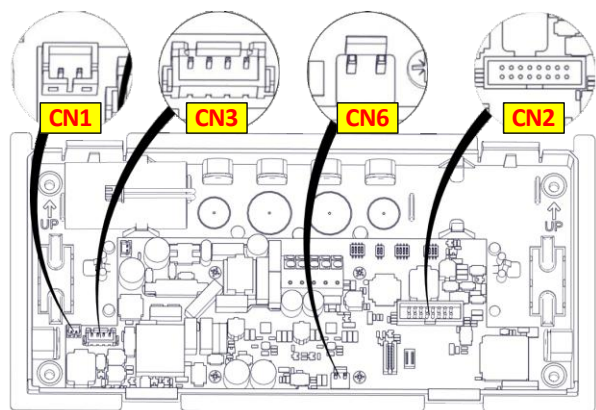
ATTENTION! This step is required only for models that have downlight lighting.



5. Connect the panel's cables to the appropriate connectors on the terminal block:

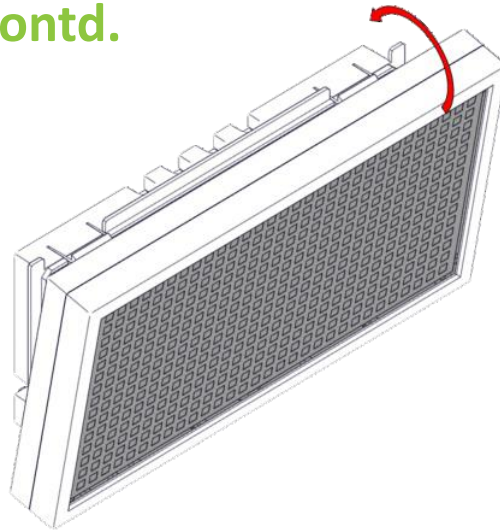
- CN1 is used for the downlight located at the bottom of the luminaire.
- CN3 is used for the indication LEDs and the test button.
- CN6 is used to supply power to the panel.
- CN2 is used for connecting the panel.

It is recommended to connect the power supply cable to the panel (CN6) last.



CONNECTIONS contd.

6.



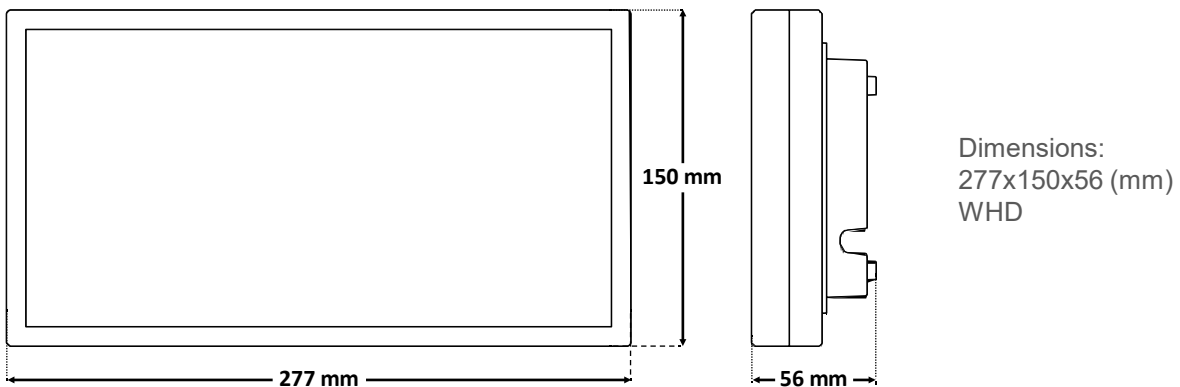
7. Note: After finishing the installation you must power the luminaire for at least 24 hours in order to completely charge the battery. The rated autonomy duration can be achieved after that time.

BATTERY REPLACEMENT

It can be done only by a competent person and after the mains interruption.

1. Disassembly the luminaire.
2. Disconnect the battery and install a new one of the same type and characteristics.
3. Re-assembly the luminaire.

DIMENSIONS



NOTE: LED= Light Emitting Diode LABELING EXPLANATION:

X: Self contained

1: Maintained/Non maintained operation (*) A: Including test device

F: Automatic test gear complying with IEC 61347-2-7 denoted EL-T G: Internally illuminated safety sign

60: 1 hour duration 180: 3 hours duration

(*) Maintained operation: The luminaire lights its illumination source, when it is powered by the mains power supply or not.

Non-Maintained operation: The luminaire lights its illumination source, only in power supply's failure.

ATTENTION



The light source of this luminaire is not user replaceable. When the light source reaches its end of life the whole luminaire shall be replaced.

GENERAL

Manual Operational Test

The operational test is initiated by briefly pressing the TEST button. The light source and the emergency circuit of the device are tested. The manual operational test can be conducted only if the mains power supply and the battery are connected. During this test period, the CHARGE LED starts blinking rapidly. The battery must have an adequate charge. This test lasts for 3 seconds.

Manual Autonomy Test

The manual autonomy test is initiated by pressing and holding the TEST button for 5-10 seconds.

In order to perform this test, the mains power supply should be connected, and the battery should be fully charged. The luminaire enters emergency mode, and the CHARGE LED starts blinking rapidly. The test lasts for the stated autonomy duration of the luminaire. If, at the end of the test, the autonomy is lower than the nominal value, the FAULT LED will light up, indicating that the battery needs to be replaced. If the result of the test is satisfactory, the luminaire enters charging mode, and the CHARGE LED continues to blink rapidly until the battery is fully charged.

Automatic Operational Test

This test includes all the operations provided in the Manual Operational Test and is conducted automatically every 15 days, lasting 3 seconds.

Automatic Autonomy Test

The Automatic Autonomy Test is conducted annually and measures the device's backup operation and emergency duration. This test includes all functions of the Manual Autonomy Test.

ATTENTION!!!

1. Operations for installation, maintenance, or testing must be done by authorized personnel only.
2. Always use round mains cables with a diameter of 5-10mm (H05RN-F type 2x1mm² or any other type at least equal to its mechanical and electrical properties). ATTENTION!! The cable must not be deformed in any way (This requirement is important to ensure the IP rating).
3. The device must be connected to the mains power supply through a circuit breaker that is appropriate for the total line's power load.
4. In case of battery replacement, it must be replaced with the same type, by the manufacturer or a competent person.
5. If the device is inactive for a period greater than 2 months, disconnect the battery by pulling out the battery's connector.
6. If the luminaire no longer meets the rated duration of operation after the corresponding recharge period, the battery must be replaced.
7. To prevent luminaires from performing their autonomy test on the same day, ensure there is at least a 1.5-minute gap between connecting the battery packs.
8. It is not allowed to discard batteries into common trash bins; they must be discarded only at battery recycling points.

Do not incinerate.

INDICATIONS LED STATUS

GREEN (charge)	RED (fault)	Description
●	○	Normal
●	○	Charging - (autonomy test not possible while charging)
○	○	Mains off
●	○	(battery not connected or charger fault)
∅	●	Autonomy Test (Duration: 1h, 3h, 8h)
●	○	Battery Fault
∅	●	Operational Test (Duration: 3s) Light Source Fault
∅	●	Battery Fault & Light Source Fault

NOTE: ● Permanently on ● Slow blink ● Fast blink ○ Off ∅ Not relevant

DIP SWITCH SETTINGS

1. Please set DS1 to DS4 in accordance with the black and white panel below to trigger legend shown. DS1 = normal conditions, DS2 = alarm conditions, DS4 = static/moving icon mode.

